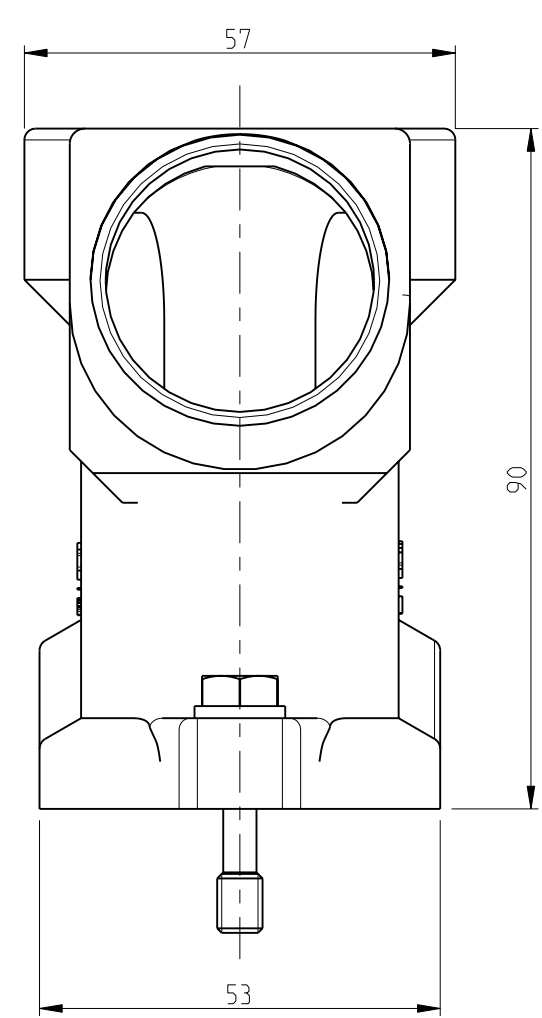
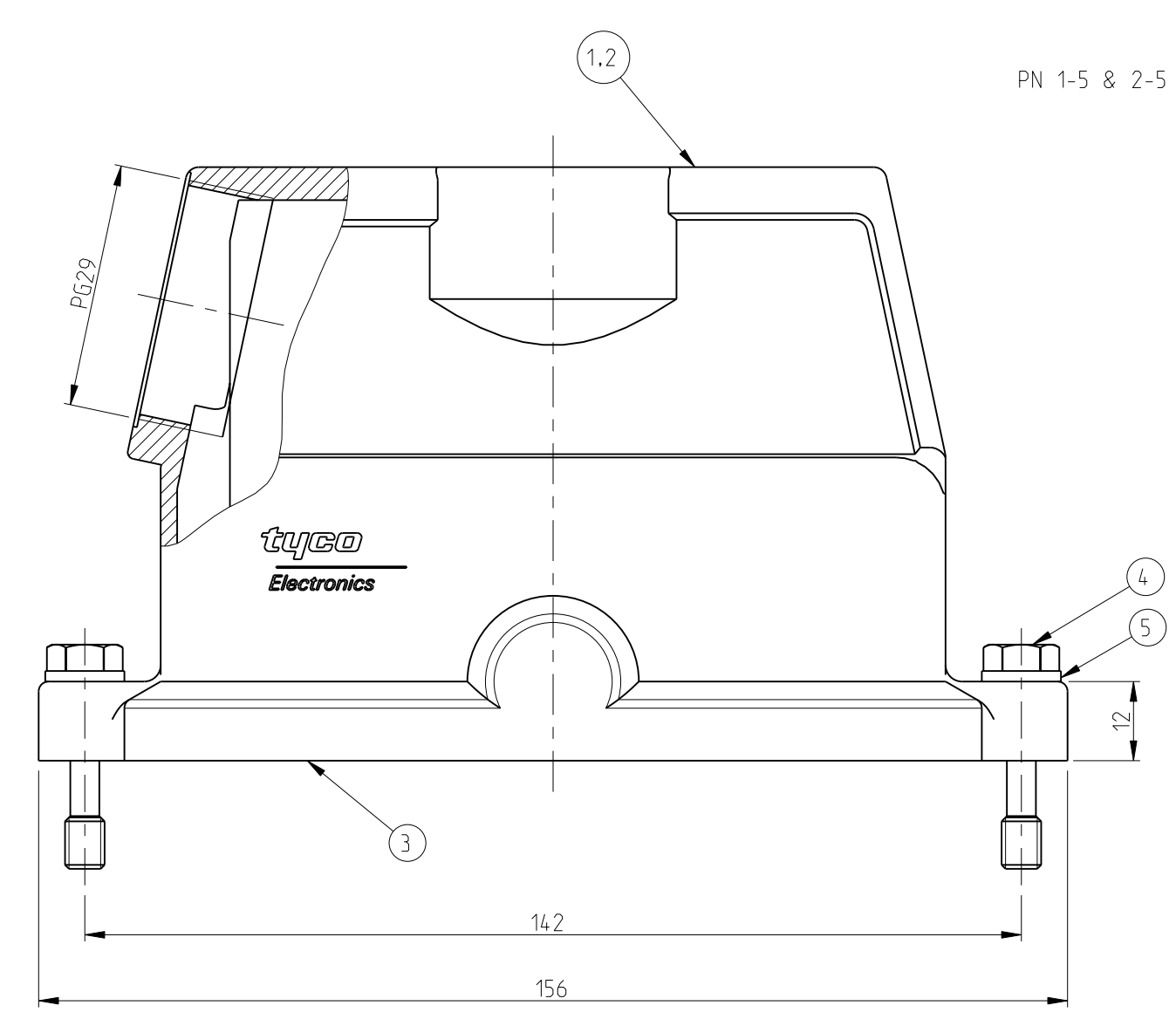
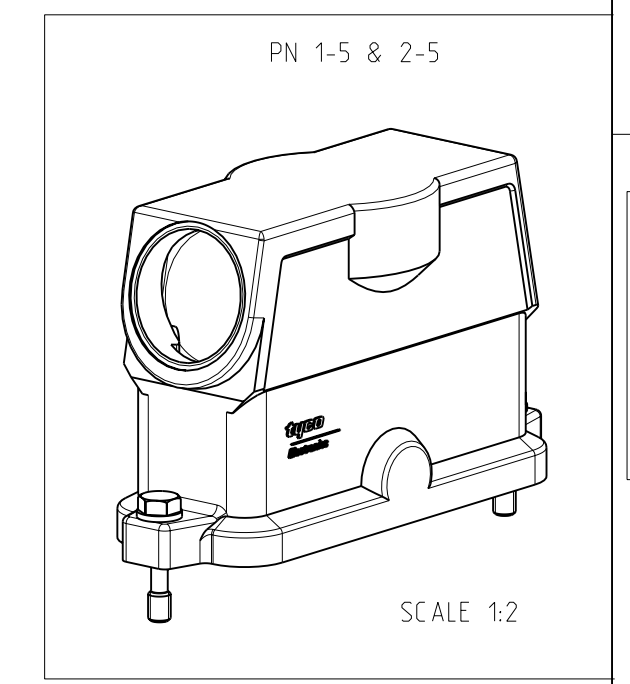


THIS DRAWING IS UNPUBLISHED. RELEASED FOR PUBLICATION .1997
 © COPYRIGHT 1997 BY TYCO ELECTRONICS CORPORATION. ALL RIGHTS RESERVED.

LOC	DIST	REVISIONS					
		P	LTR	DESCRIPTION	DATE	DWN	APVD
A1	-	B2		Released as per ECR-07-030419	17.12.07	SP	TS



- NOTES
- 1 Material: Housing: Aluminium Diecasting Alloy
Seals: Neoprene
 - 2 Surface:- varnish-grey
Aluminium oxide+
Varnish black
 - 3 Varnish on the inside not necessary
 - 4 Packaging quantity: 5 pieces in a box



QTY	DESCRIPTION	MATERIAL	SURFACE	COLOR	ITEM NO	REMARKS
2	Spring washer	Stainless steel	Blank		5	
2	Fixing screw	Stainless steel	Blank		4	
1	O-Ring Bg8	Neoprene	-	Black	3	
1	Hood HIP Bg8	Aluminium	Aluminium oxide	Black	2	
1	Hood HIP Bg8	Aluminium	-	Grey	1	
2-5	DESCRIPTION	MATERIAL	SURFACE	COLOR	ITEM NO	REMARKS
ORDERING TEXT						
HIP.24/64.STS.1.29.G						
HIP-K.24/64.STS.1.29.G						

THIS DRAWING IS A CONTROLLED DOCUMENT FOR TYCO ELECTRONICS CORPORATION IT IS SUBJECT TO CHANGE AND THE CONTROLLING ENGINEERING ORGANIZATION SHOULD BE CONTACTED FOR THE LATEST REVISION.		DWN Schneider 02.07.99	Tyco Electronics AMP GmbH D-53819, Neunkirchen, Germany			
DIMENSIONS: mm		CHK Schweiger 02.07.99	NAME Hood Size8 HIP.24/64.STS.1.29.G			
TOLERANCES UNLESS OTHERWISE SPECIFIED: 0 PLC ± 1 PLC ± 2 PLC ± 3 PLC ± 4 PLC ± ANGLES ±		APVD -	PRODUCT SPEC 108-74030			
MATERIAL FINISH		APVD -	APPLICATION SPEC 114-74017			
		WEIGHT 540 g	SIZE A2	CAGE CODE 00779	DRAWING NO G=1102660	RESTRICTED TO -
CUSTOMER DRAWING			SCALE 1:1	SHEET 1 OF 1	REV B2	